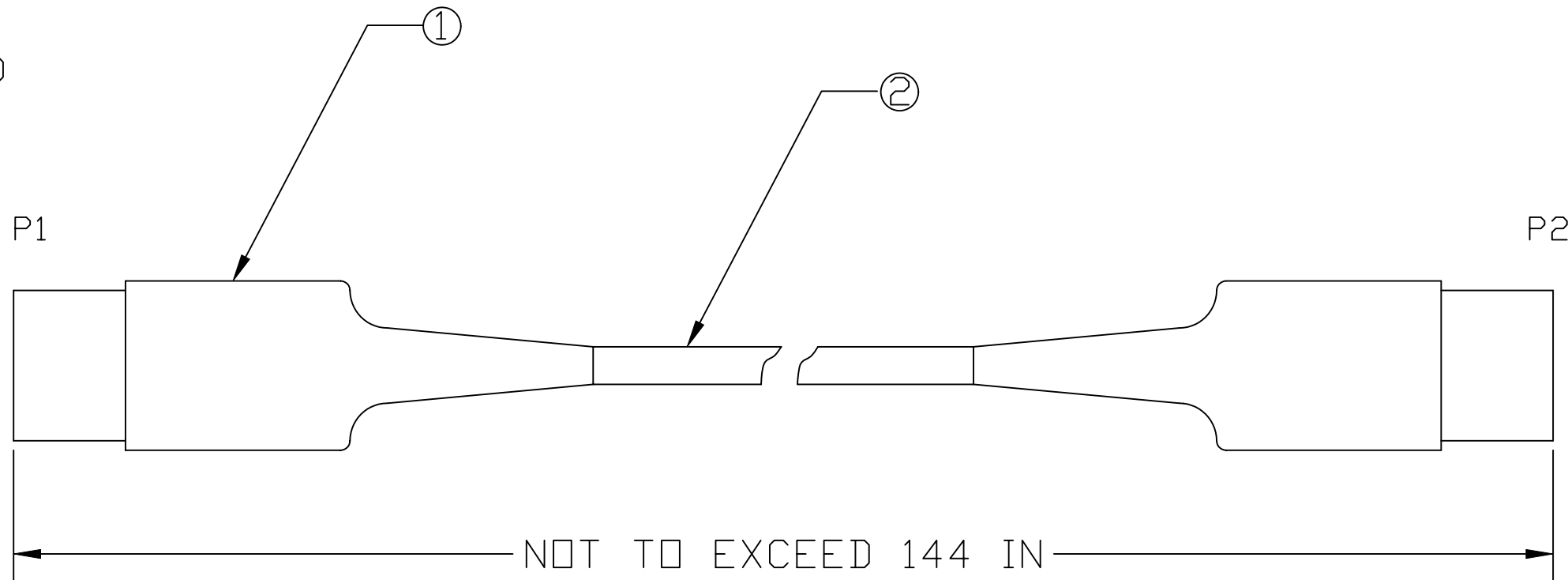
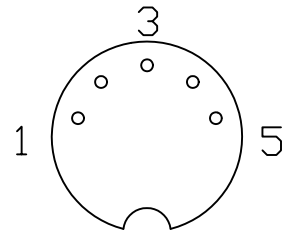
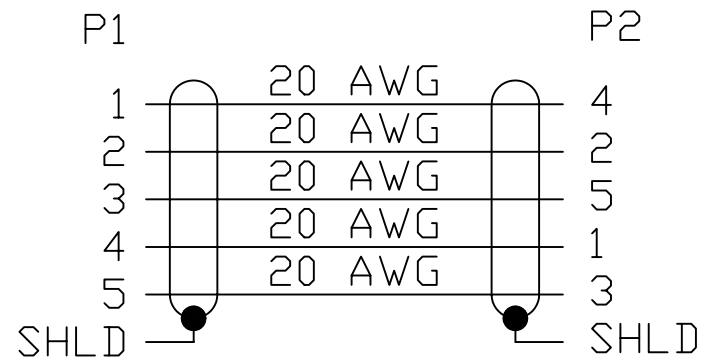


REVISIONS				
ZONE	REV	DESCRIPTION	DATE	APPROVED
	-	INITIAL RELEASE	JULY 2000	EH



QTY	REFERENCE DESIGNATION	PART OR IDENTIFYING NUMBER	NOMENCLATURE OR DESCRIPTION	MANUFACTURER	ITEM NO
AR			5 CONDUCTOR CABLE, AUDIO	RADIO SHACK	2
2			CONNECTOR, 5 PIN DIN, MALE (PINS) SOLDER CONTACTS	RADIO SHACK	1

PARTS LIST

THIRD ANGLE PROJECTION

UNLESS OTHERWISE SPECIFIED
DIMENSIONS ARE IN INCHES
TOLERANCES ARE:
DECIMALS ANGLES
± 0.05 ±1.0
DO NOT SCALE THIS DRAWING

PONGO AIR
RC AIRCRAFT MANUFACTURING SERVICES
LIVERMORE, CA 94550

5 PIN TRAINER CABLE
INFC FUTABA, TOWER HOBBIES

SIZE	DWG NO.	REV
A	PONGO AIR 17	—

SCALE NONE SHEET 1 OF 1

FNAME

REVDATE

USER