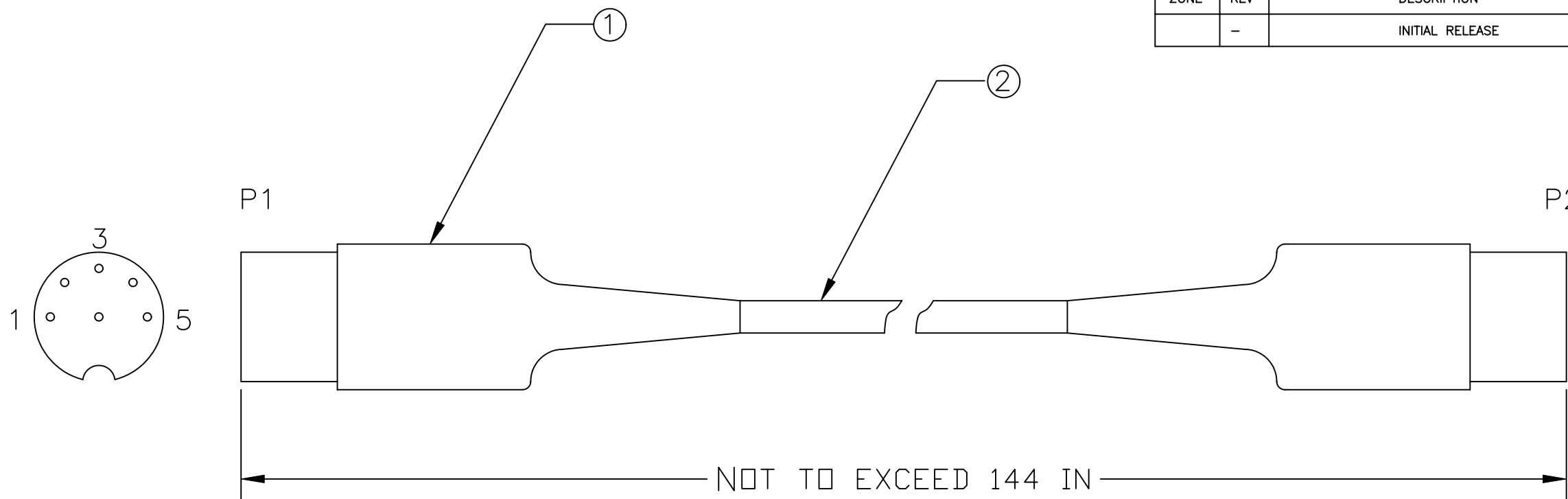


FNAME

REVDATE

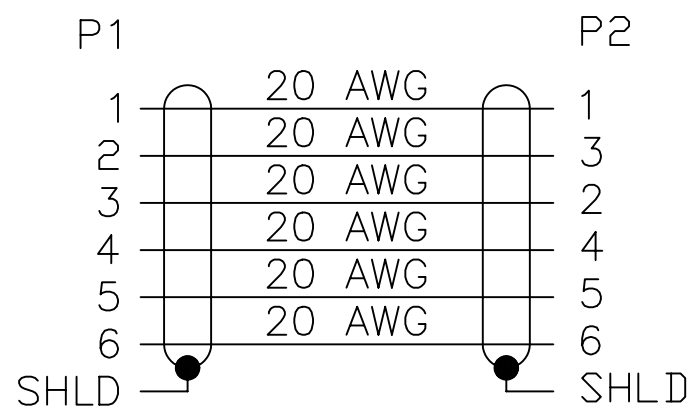
USER

REVISIONS				
ZONE	REV	DESCRIPTION	DATE	APPROVED
	-	INITIAL RELEASE	JULY 2000	EH



QTY	REFERENCE DESIGNATION	PART OR IDENTIFYING NUMBER	NOMENCLATURE OR DESCRIPTION	MANUFACTURER	ITEM NO
AR			6 CONDUCTOR CABLE, AUDIO	RADIO SHACK	2
2			CONNECTOR, 6 PIN DIN, MALE (PINS) SOLDER CONTACTS	RADIO SHACK	1

PARTS LIST



THIRD ANGLE PROJECTION

UNLESS OTHERWISE SPECIFIED  
DIMENSIONS ARE IN INCHES  
TOLERANCES ARE:  
DECIMALS ± 0.05      ANGLES ± 1.0  
DO NOT SCALE THIS DRAWING

PONGO AIR  
RC AIRCRAFT MANUFACTURING SERVICES  
LIVERMORE, CA 94550

6 PIN TRAINER CABLE  
INFC FUTABA, TOWER HOBBIES

SIZE	DWG NO.	REV
A	PONGO AIR 17	-
SCALE NONE		SHEET 1 OF 1